

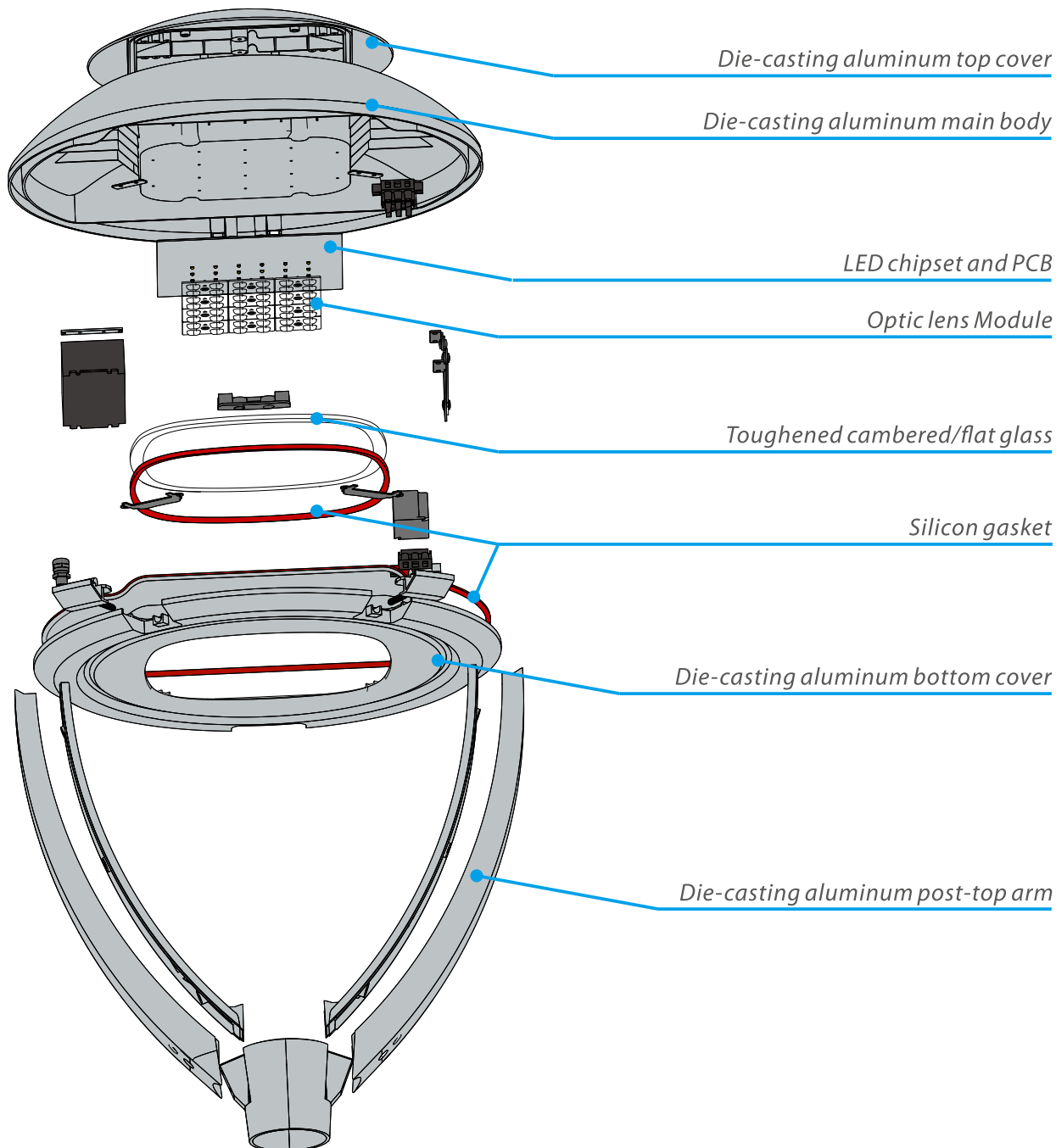
# LED Street Light Series STN



5 in 1  
Solution

**LUCCA**





# SPECIFICATION

## Street Light Series ST



### Features

- The Luminance uniformity of the emitting surface is over 90%.
- High light output and reduced energy consumption of up to 50%.
- Wide angle of deflection with even light distribution.
- No start-up time, no humming.
- Independent LED circuit prevents complete blackout in case an LED fails.
- Environmentally friendly, no mercury and no lead.
- Causes no electromagnetic interference.

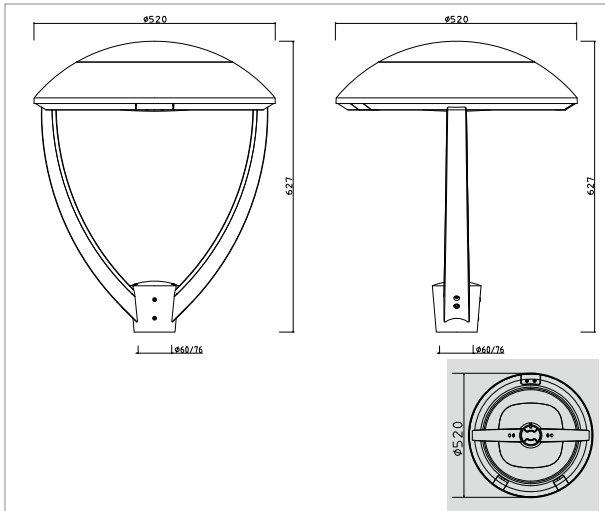
### Application

- Street
- Garden

### Caution

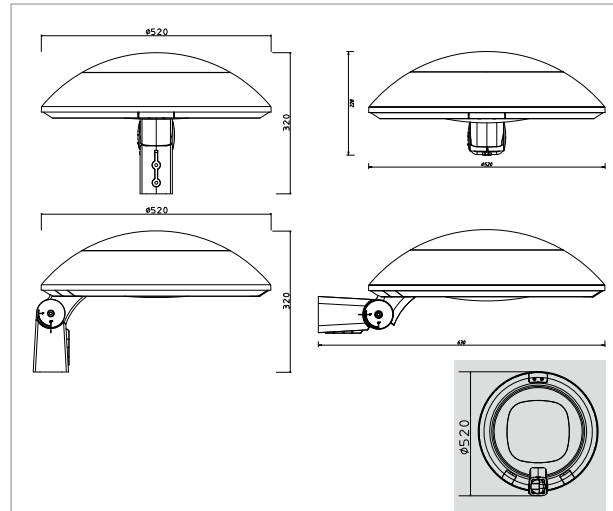
- Please read the user manual before installation.
- Please install, connect and test the lamp according to local regulations, Lamps should always be installed or replaced with care by professional person.
- Ensure the power is switched off before installation.
- Please check whether the lamps are broken or not during shipping, broken items cannot be used anymore.
- Please keep the lamps and accessories away from kids to avoid hurt by mistakes.
- For protecting eyes, please do not watch the luminous surface for a long time,
- Do not cover anything on lamp and keep lamps away from fire or high temperature objects.
- Switch the power off and cool down the lamp before cleaning.
- The lamp is only suitable for weak acid and weak base environment.
- When installing the lamps and lanterns, please corresponding national grid area using the requirements and specifications, please do not install the lamps and lanterns in the rain!

# Dimension



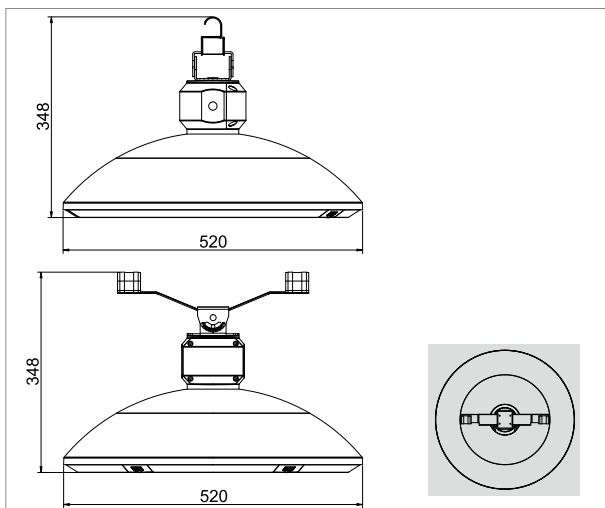
LU-STNA

20-80W: Ø380\*510  
90-160W: Ø520\*627



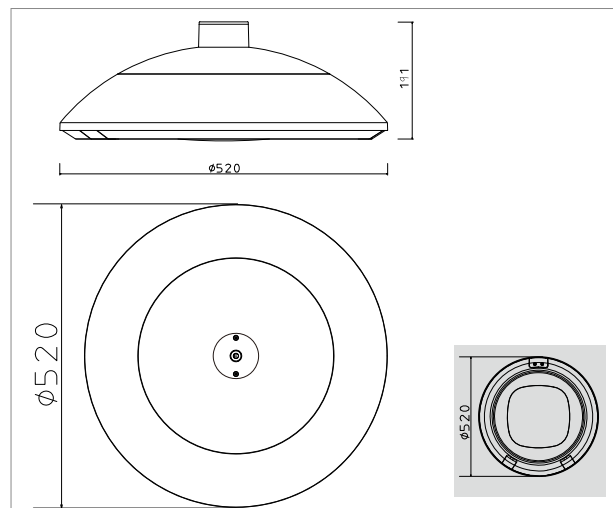
LU-STNB

20-80W: Ø380\*112  
90-160W: Ø520\*228



LU-STNC

20-80W: Ø380\*333  
90-160W: Ø520\*348



LU-STND

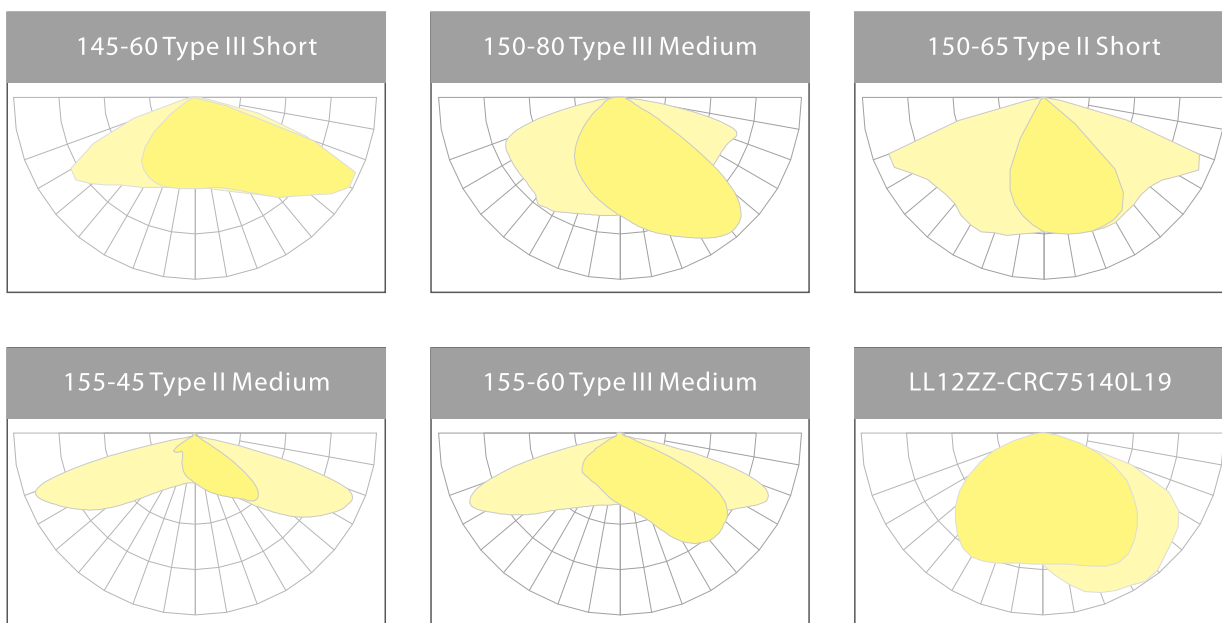
20-80W: Ø380\*333  
90-160W: Ø520\*348

## PARAMETER

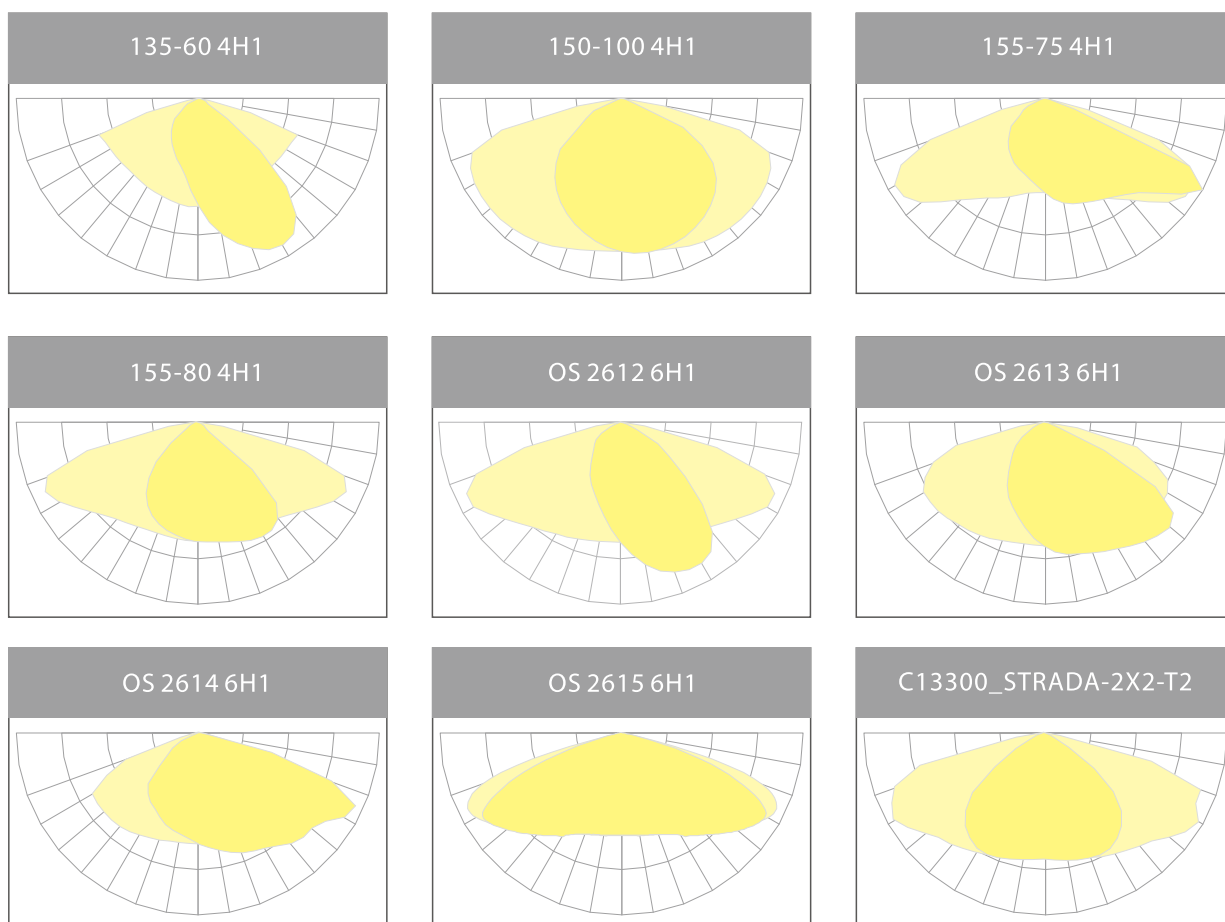
Model No.	LU-STN
Material	AL Body
Finished	Grey/Black/White
Size(mm)	See Dimension
Rod Size(mm)	60mm/76mm
Input Voltage	AC90-305V
Power	20/30/40/50/60/70/80/90/100/120/160W
Driver	Inventronics / Meanwell
Chips	Philips 3030 / Philips 5050
Luminous Efficiency	130lm/W / 150lm/W
CRI	>80Ra
IK Level	IK10
IP Level	IP 66
P.F.	>0.95
Mounting Height	3-8m
Standard Lens	Type III (60*145)

# LENS

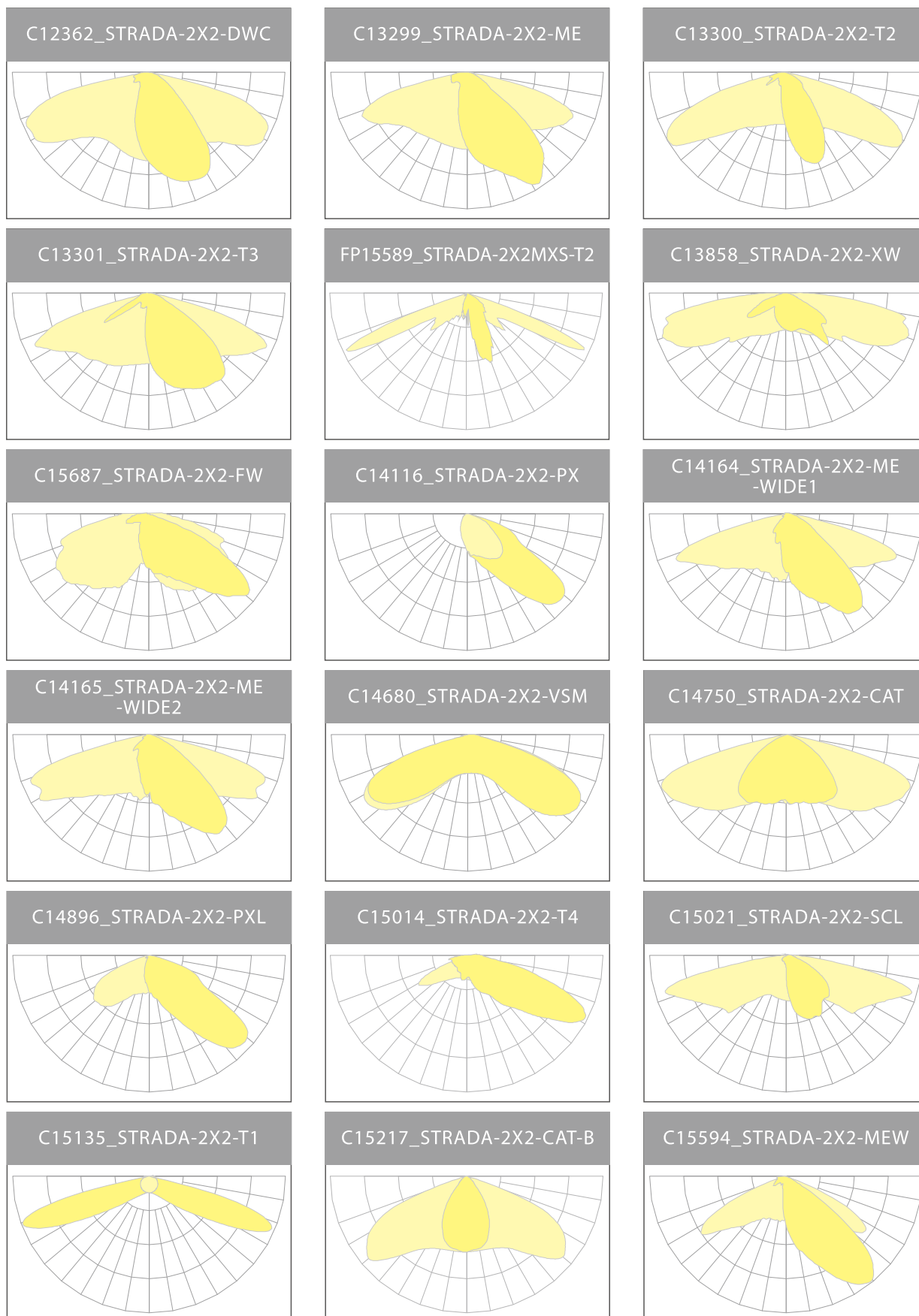
with 3030 LED package, basically the Essence could offer 6 standard light distribution curves as following



with 5050 LED package, basically the Essence could offer 27 standard light distribution curves as following



# LENS



# INSTALLATION



*Press-and-push tool free opening*



*Use of screwdriver is prohibited*

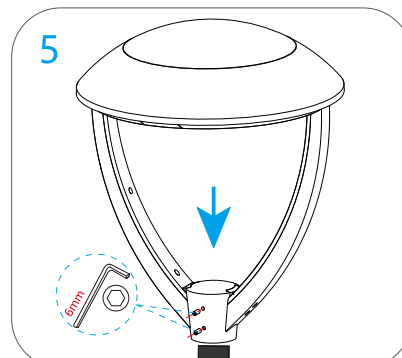
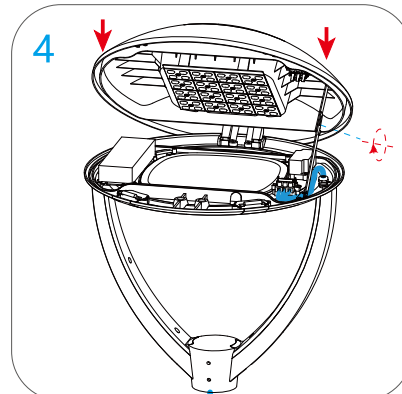
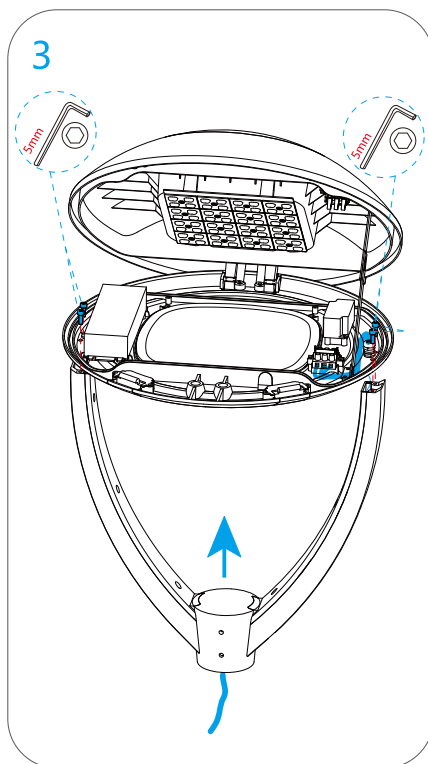
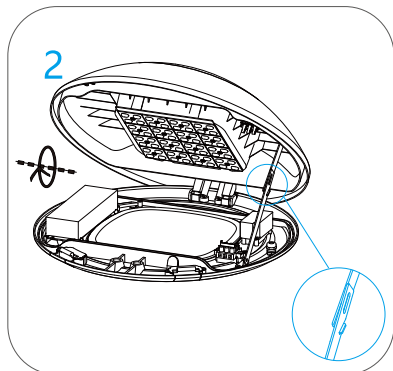
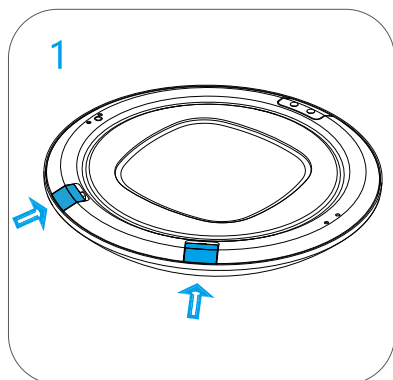


*Use of screwdriver is prohibited*

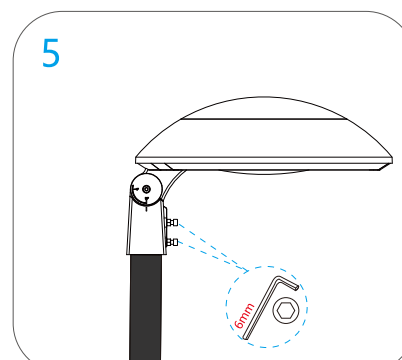
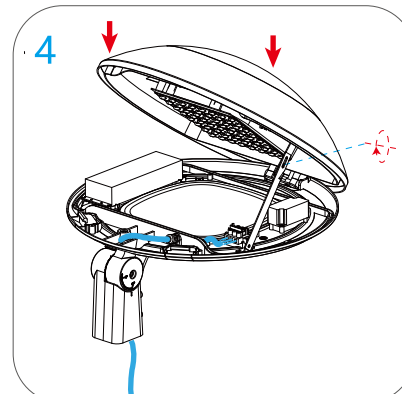
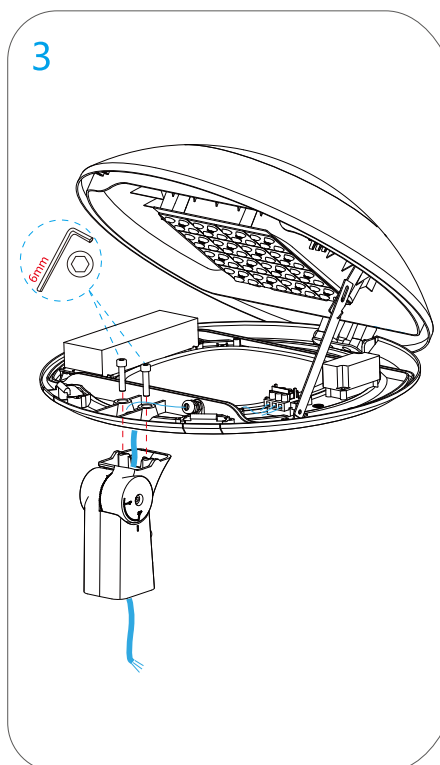
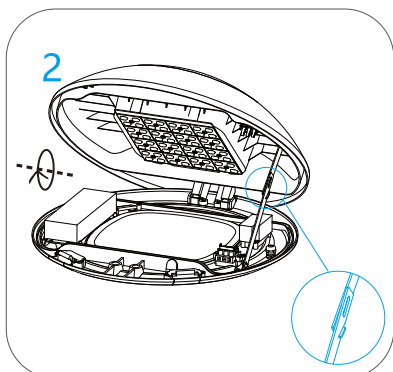
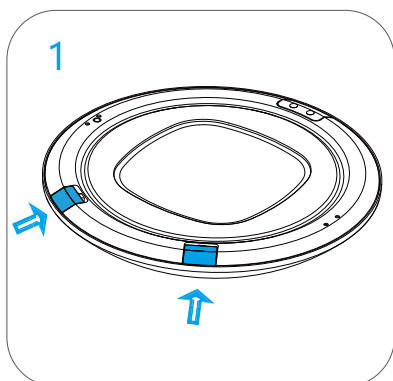


# INSTALLATION

## LU-STNA

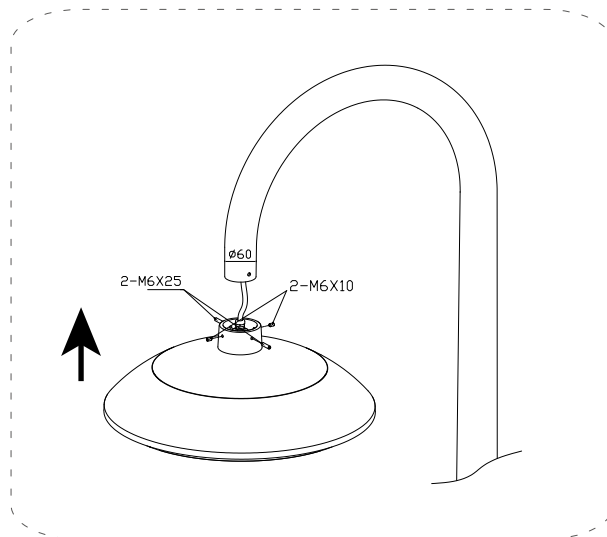
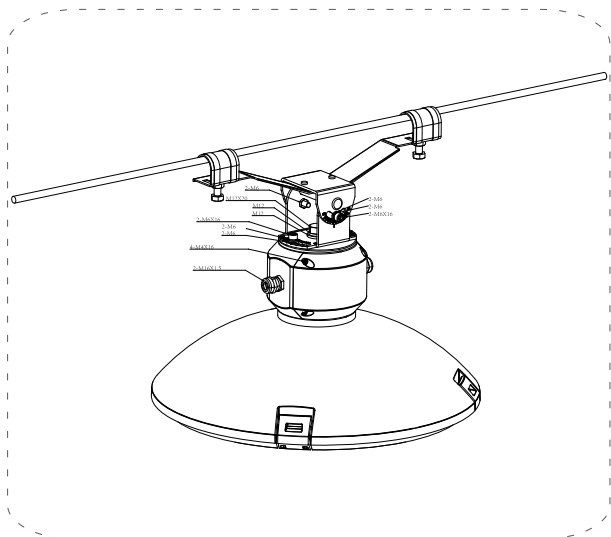


## LU-STNB



# INSTALLATION

*LU-STNC LU-STND*



# PACKING

Model	Carton Size(mm)	N.W.(Kg)	G.W.(Kg)
LU-STNA	580x580x290	12.0	13.0
LU-STNB	580x580x290	11.0	12.0
LU-STNC	580x580x290	11.0	12.0
LU-STND	580x580x290	11.0	12.0

